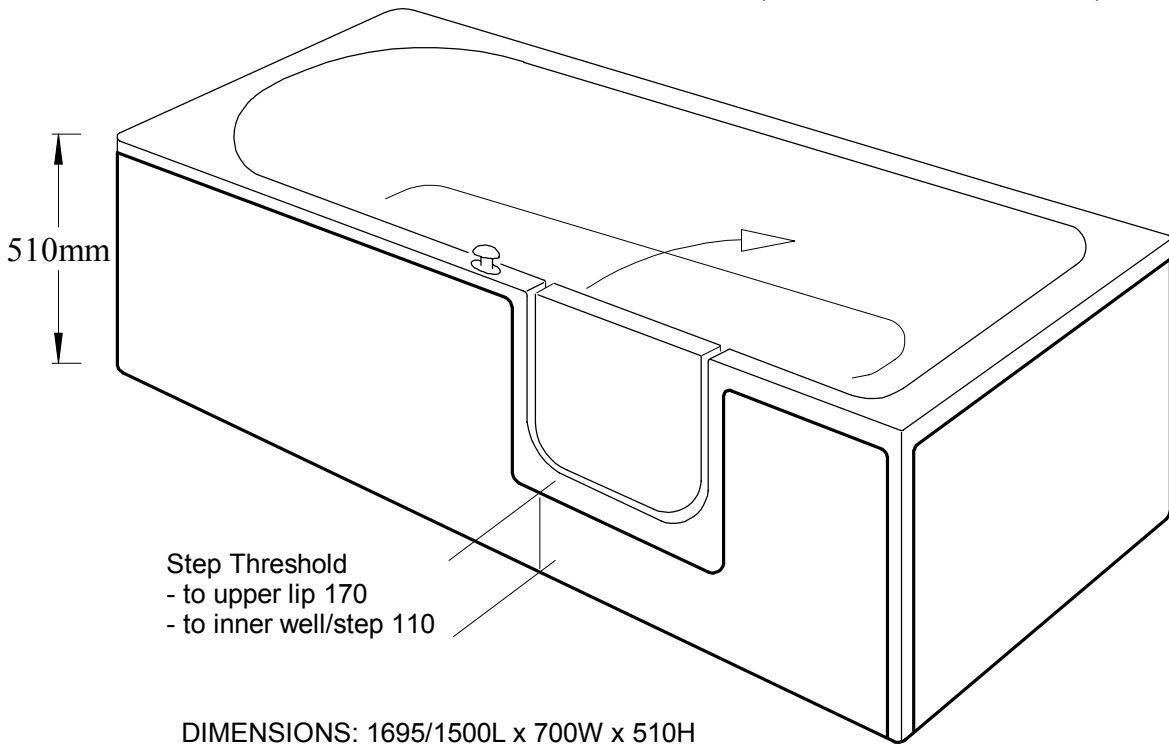
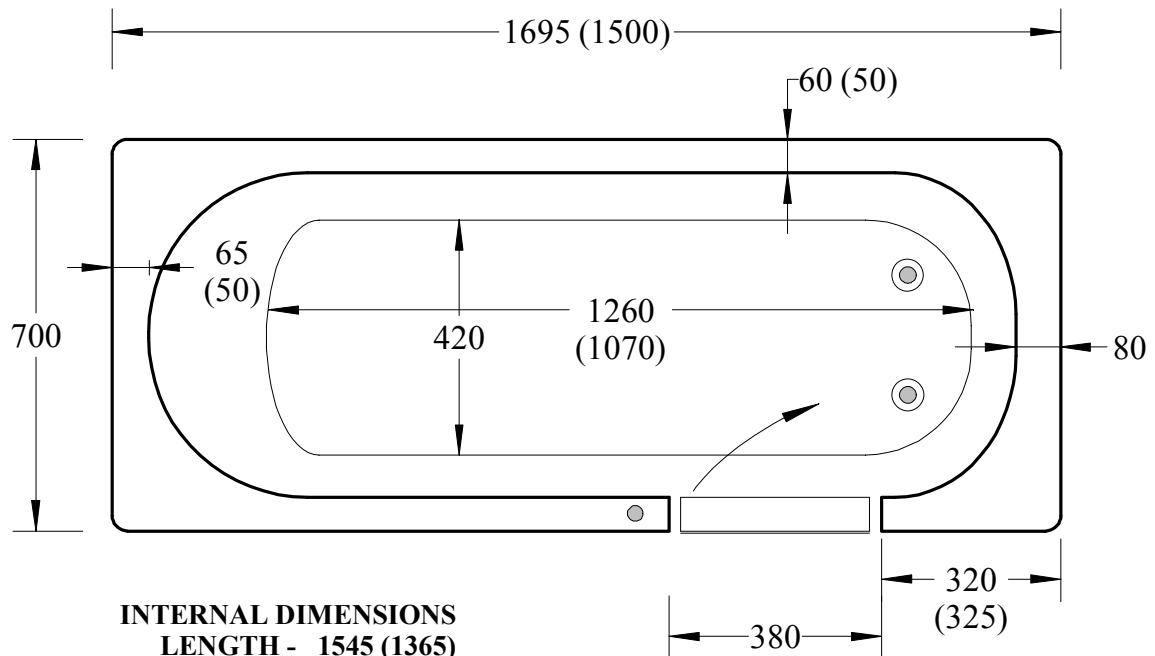


# AVRAIL 1700 & 1500

SHOWN AS RHS DOOR  
(OPTION FOR LHS DOOR)



**\*\* DIMENSIONS FOR THE 1500 ARE SHOWN IN BRACKETS**



**INTERNAL DIMENSIONS**  
**LENGTH - 1545 (1365)**  
**WIDTH - 595 (595)**  
**DEPTH - 395 (395)**  
**WATER CAPACITY - 188L (167L)**  
**2 x WASTES**

**DIMENSIONS IN MILLIMETER NOMINAL**